

# Table Lamp

## INSTRUCTION MANUAL

Please read these instructions carefully before using your new light and retain for reference.  
For Indoor use only

This pack contains:

1 x Table Lamp with in-line switch.

### Safety Warnings

Do not plug into the mains until your lamp is fully assembled. Under no circumstances must this table lamp be covered with any material as this could pose a safety hazard.

This product is not suitable for persons under 14 years of age.

This product is only suitable for connection to 240V~50Hz supply, indoor use only and is *not* suitable for a Bathroom location.

The Table Lamp must be protected by a 3 amp fuse in the mains plug.

This is a Class II, Double insulated fitting and does not require an Earth. Neither the Live or Neutral cable should be connected to Earth.

If the mains plug requires replacing use a plug approved to BS1363 and wire it up according to the diagram below.

If any modification is made it will invalidate the warranty and may render the product unsafe.

If the mains cable becomes damaged it must only be replaced by a technically competent, qualified person.

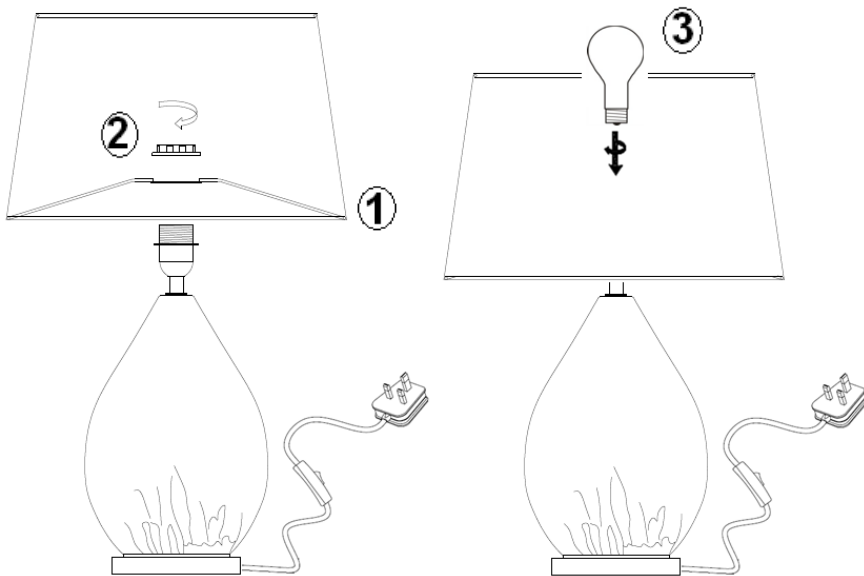
### Assembly/ User Instructions

1. Carefully unpack your Table Lamp.
2. Place your Table lamp on a stable, flat surface.
3. Fit the shade (1) and secure with the shade ring (2).
4. Install the Bulb (3). Do not install a bulb with a greater wattage or different shape than specified on the label.
5. Plug in and operate the in line switch to turn your Table Lamp on.

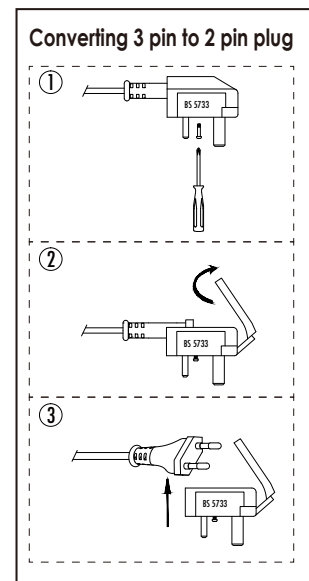
If your Table Lamp will not illuminate, please check the bulb, the 3 amp fuse in the plug and ultimately check the relevant fuse in your Fuse Box.

If unsuccessful please consult your Retailer.

Switch off, remove plug and allow 10 minutes to cool before replacing bulb(s) or cleaning using only a dry cloth.



To use this item in Europe, the 3 pin adaptor can be removed by loosening the central screw and removing the adaptor to reveal the 2 pin Europe plug.



- EN Scan QR code for multi-language
- FR Scannez le code QR pour plusieurs langues
- ES Escanee el código QR para varios idiomas
- PL Zeskanuj kod QR dla wielu języków
- DE Scannen Sie den QR-Code nach mehreren Sprachen
- IT Scansiona il codice QR per multilingua